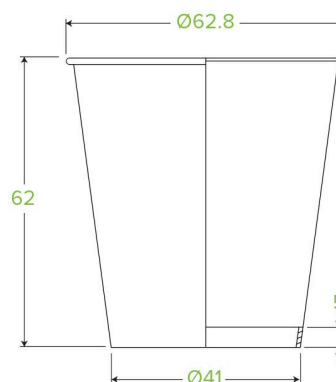


120ml / 4oz (63mm) Leaf Single Wall BioCup BC-4



Paper BioCups are lined with a plant-based bioplastic. BioPak paper cups are certified industrially compostable and carbon neutral. 5% of profits are donated to positive change. Suitable lids include BCL-4PLA-C.

Carton quantity: 2000	Sleeves per carton: 40	Units per sleeve: 50
Carton Size LxWxH (cm): 51x34x38.5	Carton gross weight (kg): 9.000000	Carton barcode: 19344062001109
Raw Material: Paper	Lining/coating: Bioplastic - Ingeo®, PLA	Window Material: None
Printing Type: Offset	Inks: Food Contact Safe Inks	Brim fill capacity (ml): 120
Dimensions top LxW (mm): 62.8	Dimensions base LxW (mm): 41x41	Product Depth: 62
Product weight (g): 4	Thickness: 228gsm + 35gsm PLA	Use: Hot and cold
Manufactured: Taiwan	Customise: Print	MOQ custom: 50000
Mould fees: No	Environmental production certified: TBC	Quality product certified: ISO 9001
Factory food safety certified: BRC, HACCP	Corporate social accreditation: TBC	Home compostable: No
Industrially compostable: Certified to AS4736 Australian Standards, Certified to EN13432 European Standard	Recyclable: No	